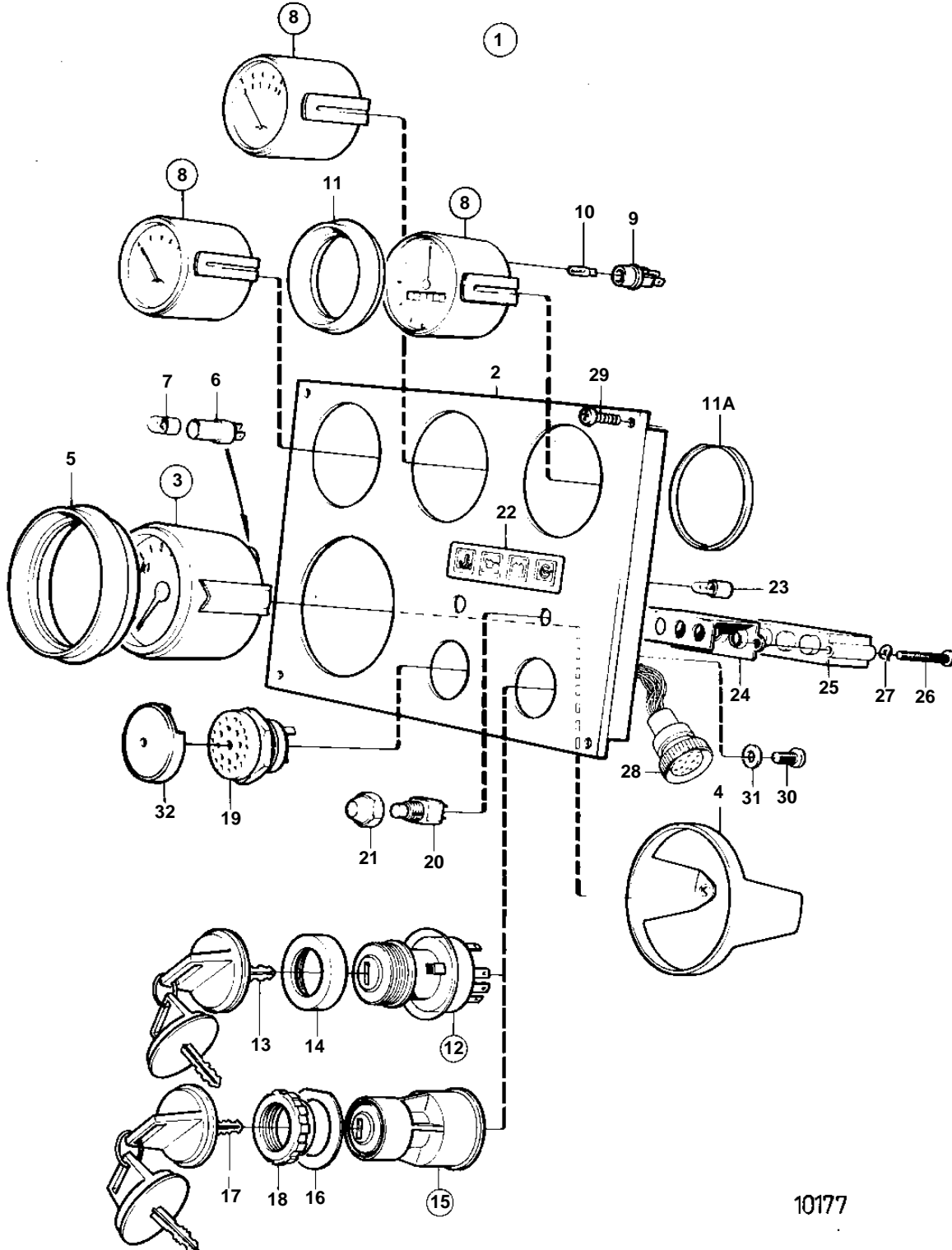


2002,2003,2003T



10177

2002,2003,2003T

REF	PART NO.	QTY	DESCRIPTION	SEE SEC.	NOTES
1	859059	1	Instrument panel		REPL BY 864038. WHITE COLOURED DECOR STRIPE.
				030-1302	
2	858647	1	· Instrument panel		
3	854913	1	· Tachometer		(864024) (858940)
4	849523	1	· · Attaching ring		
5	858644	1	· Front ring		
6	808175	1	· Bulb socket		
7	19923	1	· Bulb		
8	863932	1	· Thermometer		(828612)
	863934	1	· Oil pressure gauge		(828618)
	863930	1	· Voltmeter		(828628)
9	863945	3	· · Bulb socket		FOR ALTERNATING CURRENT, AC.
10	863946	3	· · Bulb		RED. FOR ALTERNATING CURRENT, AC.
11	858643	3	· Front ring		
11A	828803	3	· Ring		
12	828778	1	· Starter switch		REPL BY 864277
13	828676	2	· · Key		STATE KEY CODE WHEN ORDERING
14	1581184	1	· Round nut		
15	864277	1	· Starter switch		
16	860086	1	· · Marking label		
17	859953	2	· · Key		STATE KEY CODE WHEN ORDERING
			· · Bulletin 49-30	49-30-EN	Key P/N 859953
18	859955	1	· · Plastic nut		
19	828587	1	· Buzzer		
20	828584	1	· Switch		ALARM SYSTEM
	828585	1	· Switch		LIGHTING
21	828586	2	· Button		
23	19923	4	· Bulb		
24	828784	1	· Reflector		
25	828783	1	· Electronic unit		
26	941615	2	· Screw		
27	941904	2	· Spring washer		
28	828646	1	· Cable trunk		
29	828647	4	· Screw		
30	949947	1	· Screw		
31	941904	1	· Spring washer		
32	858795	1	· Protecting casing		
	858645	1	· Symbol strip		